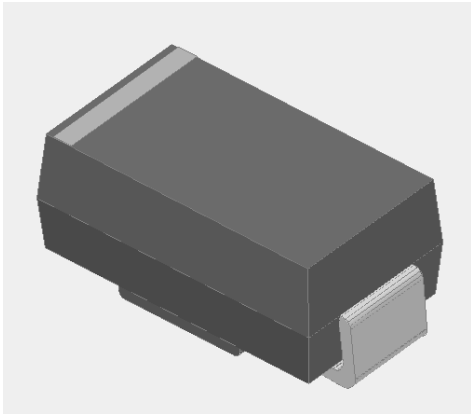




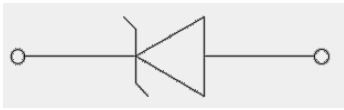
SMA4735AQ THRU SMA4764AQ

RoHS
COMPLIANT



Features

Mechanical Data Package



Terminals

Polarity:

Maximum Ratings

PARAMETER	SYMBOL	UNIT	MAX
-----------	--------	------	-----

--	--	--	--

Thermal Characteristics

PARAMETER	SYMBOL	UNIT	Conditions	VALUE



SMA4735AQ TURE SMA4764AQ

Electrical Characteristics

Part Number



SMA4735AQ TURE SMA4764AQ

Characteristics

A



SMA4735AQ TURE SMA4764AQ

Ordering Information

PREFERED P/N	PACKAGE CODE	UNIT WEIGHT(g)	MINIMUM PACKAGE(pcs)	OUTER CARTON QUANTITY(pcs)	DELIVERY MODE

Marking Information



SMA4735AQ TURE SMA4764AQ

Disclaimer
